

**AR CER**[®]



*Ferestre și
mobiler
din lemn
și amenajări interioare*

www.arcer.ro

Presentation

The history of Arcer started a while ago, when in 1992 we established a small joinery. It's birthplace: Sighetu Marmatiei, in the heart of historical Maramures. Our story started with a ... dream. Then, slowly but surely, the dream was shaped and became a reality. Today, so many years after, reality has surpassed the dream.

All this due to courage, perseverance, respect toward the clients. And there is something more, essential to us: our love for wood. In this geographical area, this oasis of well kept traditions is inherited from the old masters, the famous wood masters of Maramures, known in the entire world for their craftsmanship and art of working with the wood. Having such an ascendancy, the Arcer company has grown year by year, has developed it's capacity of production, has been modernized, and today the factory is able to produce a variety of massive wood products, at the highest level of quality. From windows to doors for full furniture sets, from interior stairs to decorative objects, we offer you creative solutions and services of any kind of interior design. Whether we talk about residential, commercial or utilitarian areas.

All our works are custom-made, having the signature of authenticity, in compliance with the clients' expectations and in full harmony with the design of the room.



Home and room doors, windows, furniture, stairs, separation walls, plating and panelling, decorative masks for lamps or for radiators, decorative objects, in other words, all our products are made of massive wood of different kind: oak, ash, cherry tree, sycamore, fir tree, beech and walnut.

The choice it is taken together with the client, based on the architectural plans and based on the technical and construction work information. During times, regardless of trends and of technological improvements in the field of materials of construction, the wood has kept unaltered its personality. It has remained the same noble material, of an authenticity that only nature can offer it. That is why, the wood will be forever the choice of people who are able to appreciate beauty, quality, durability, and in essence the simplicity of naturalness. The unique and incomparable Leonardo da Vinci, only as an accomplished artist could have conclude, he said: Simplicity is the supreme sophistication or in other words Simplicity is the last refinement.

A great Romanian poet, versifying the inimitable Maramureas gate has finished his poem, this way: Smells of human, of wood and of eternity.

Staying modest, but professional, we will continue crafting the wood, in a way that the wood will adorn your life.

Values and principles

We are adepts of the customized rooms\spaces defined by the elegance of the lines, the simplicity of the shapes and of details, also of the harmonious junction of functional and aesthetic. Our practical suggestions for interior design can help you to create a pleasant, relaxing ambiance, filled by naturalness, that shall reflect your personality. Whether we talk about the intimacy of your private home, office or of commercial space. We work together with the client harmonising our ideas. We like challenges, and often, because of the quality of our works, we attract them. We are creative and flexible.

We respect traditions, but we can be nonconformist if the project requests it. We want all the time to have an open and honest relationship with all the clients and partners of ours. And in the end our products crafted with professionalism shall correspond to your lifestyle. Because, eventually, Arcer means a Lifestyle. Our goal is to always be on the top. Always higher. Accordingly, our slogan "Arcer – close to the Sky" should be covered by strong facts.



Plea for doors and windows from laminated wood

Reasons for choosing windows and doors: they are natural, they are ecologic, they are healthy, they are durable, they are economical, they are ergonomic, they are esthetical ...and maybe the most important for the majority of the clients, the cost price it is amortized in a relatively short period of time, due to major heat savings during the winter and of the energy needed for the air conditioning during the summer. This way, even if the woodwork of the wood it is more expensive than the one usually used, the choice of doors and windows of laminated wood It Does Not Represents an Expense, But an Investment.

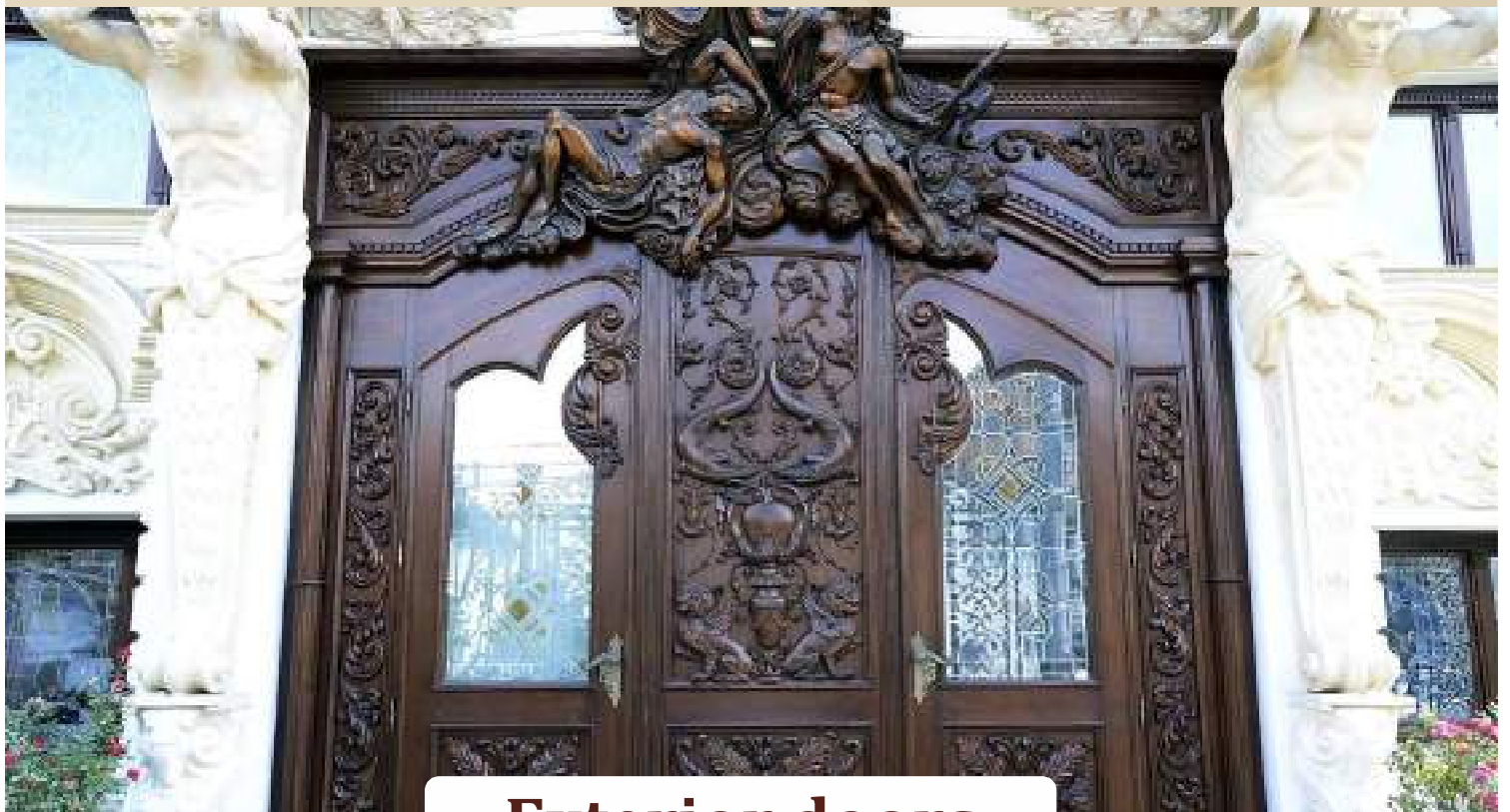
Windows and doors

When you build or acquire a house, or an apartment, an office or a room for a commercial activity, the choice of DOORS and of WINDOWS it is ESSENTIAL. Because, beyond DESIGN (shape and colour), remains the technical aspect which defines, essentially, a door or a window. Here are a few items of information that you must know about. Specialized studies show that, in a building, the heat is lost in the following ways: 9% THROUGH THE FLOOR, 24 % THROUGH THE WALLS, 41 % THROUGH WINDOWS.

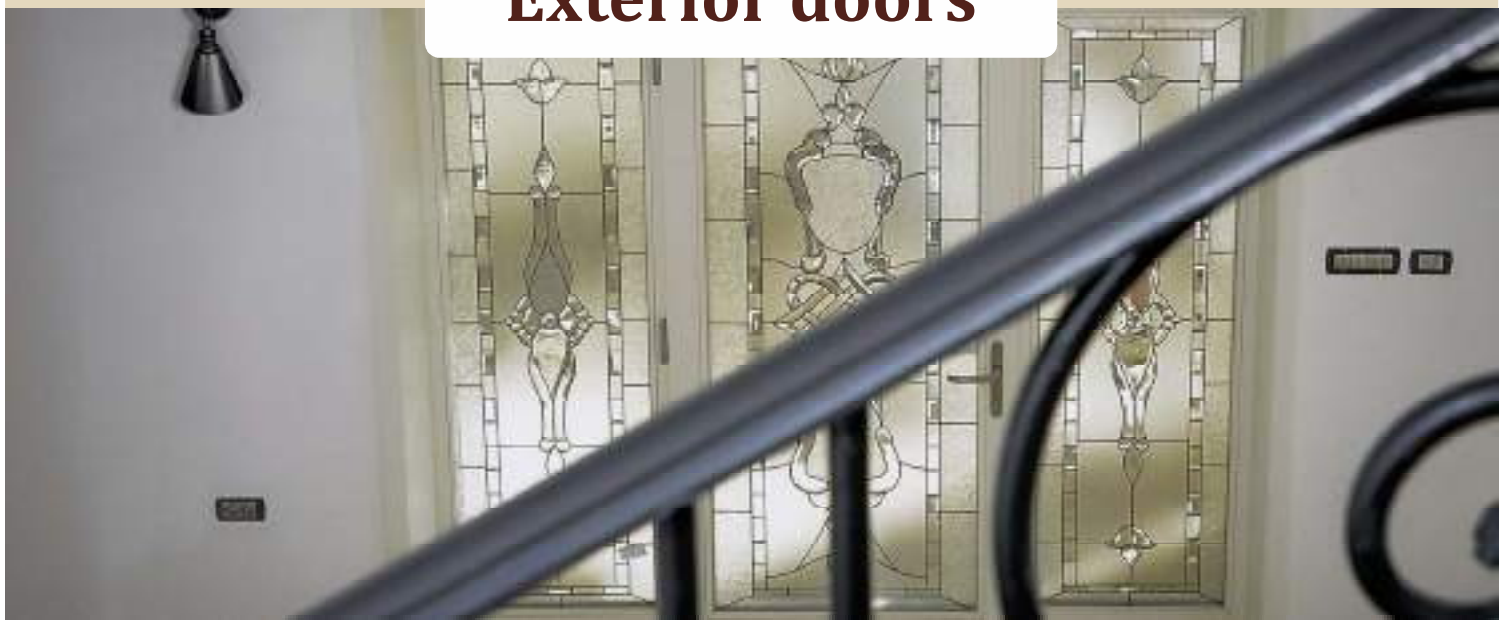
The need of the RIGHT CHOICE of windows, and of house doors it is an obvious one. And when these are MADE OF WOOD, the choice of room doors, from the same materials, comes in a natural way, fulfilling the harmony of style of the environmental space.

Why..... WOOD?

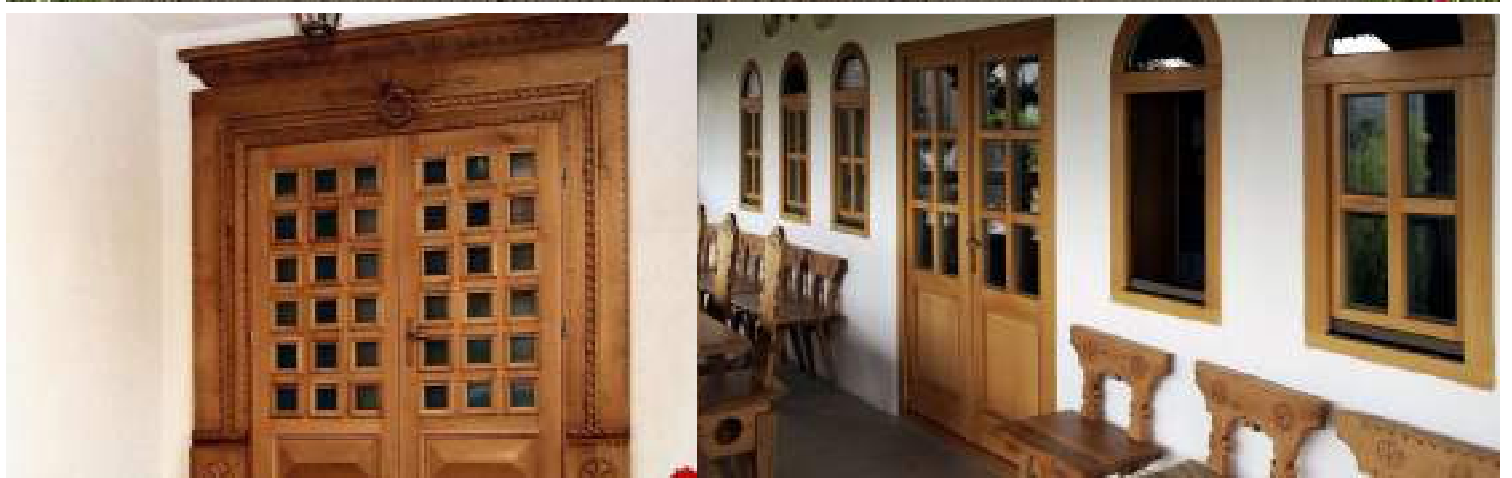
Because the use of the wood determines a HEALTHY, NATURAL AND RESTFUL MICROCLIMATE. The room doors are made of laminated inlaid wood, and the house doors and the DOUBLE-GLAZED WINDOWS are MADE OF TRIPLE INLAID LAMINATED WOOD.



Exterior doors







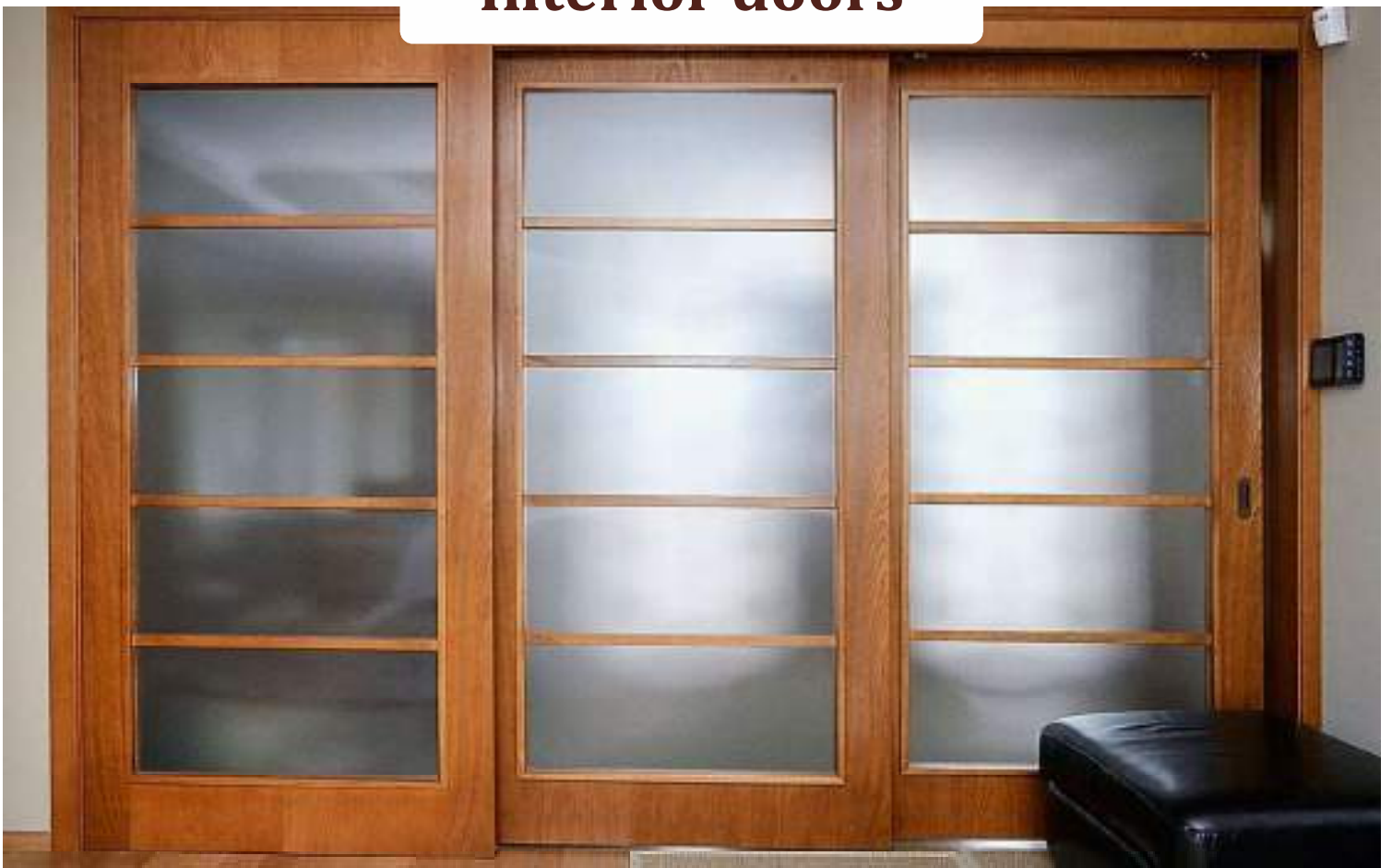








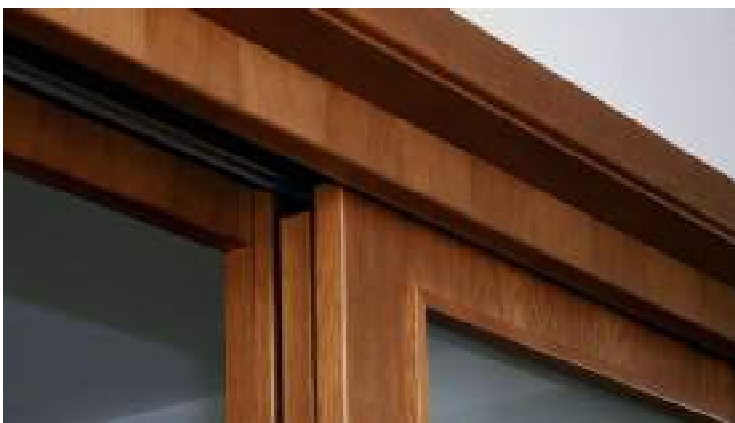
Interior doors













Windows



















Furniture

The Arcer furniture, made out of MASSIVE WOOD elements and veneered panels from wood veneer, brings TRADITIONAL MOTIFS, inspired from the art of wood crafting, a tradition in the historical Maramures, also NEOCLASSICAL MOTIFS, specific for the Italian furniture.

Whether we talk about residential furniture, or furniture for hotels and restaurants, bars, sweetshops, or offices, Arcer has accepted any challenge making furniture for various private clients and public institutions.

From classical furniture to ultra-functional, modern furniture, all the Arcer products are CUSTOM MADE, in concordance with the requirements of the clients. Curved or straight lines, refined shapes or of a primary simplicity, the ARCKER FURNITURE manages to obtain a perfect balance between FUNCTIONAL and AESTHETIC.



Hotels and restaurants



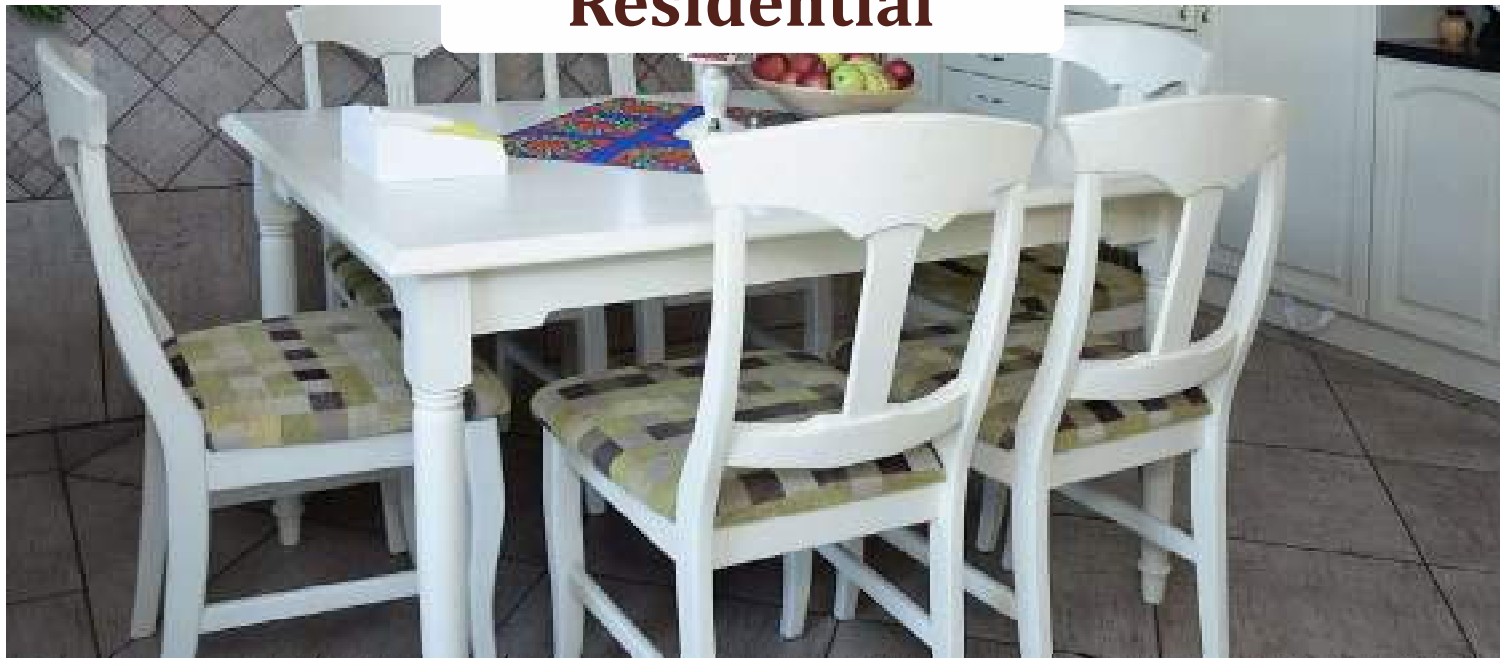




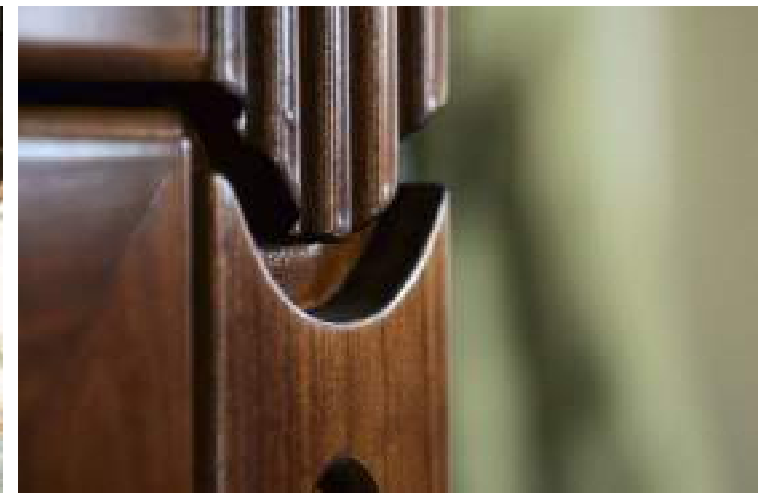




Residential









Comercial







Offices







Wooden Stairs

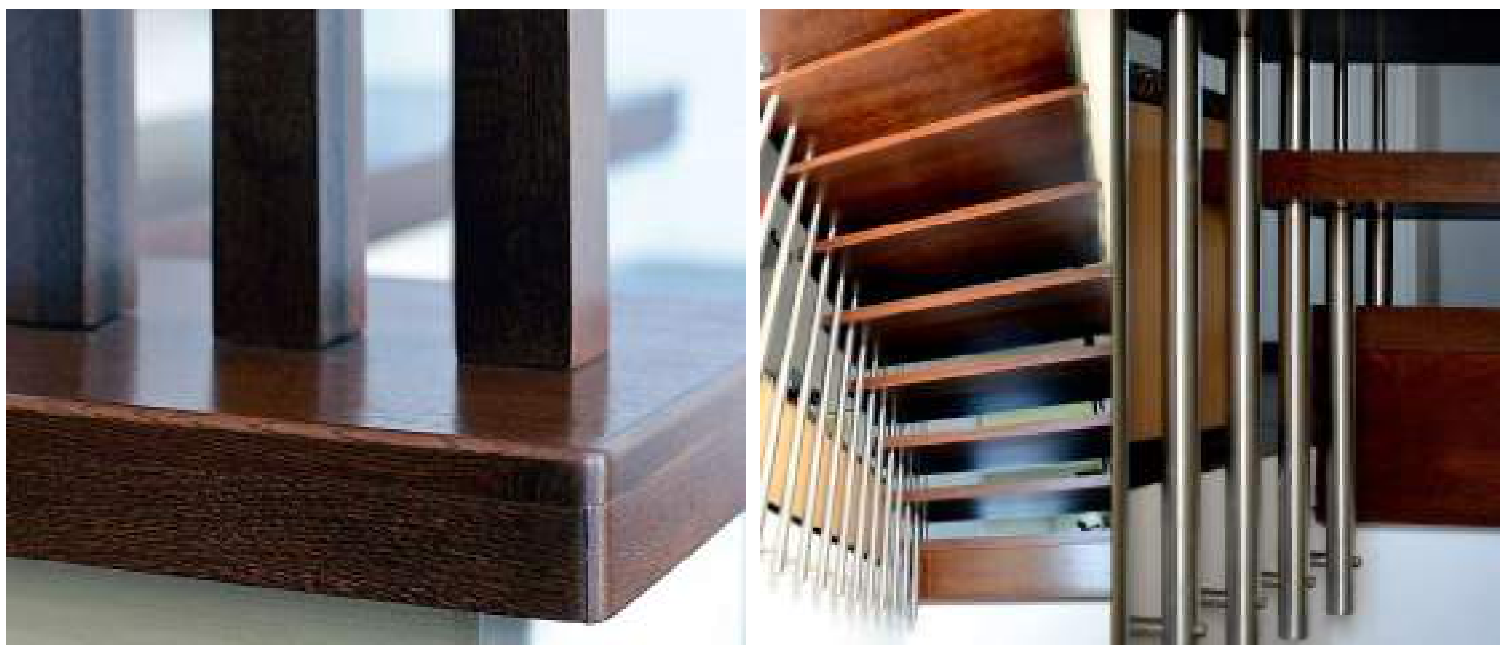
When you climb the Arcer stairs what you get is 2 sensations at the same time.

The first sensation would be that of PLEASURE, given by the velvet and natural shape of the wooden steps, perfectly polished and impeccably finished.

The second sensation is that of SAFETY, Safety certified by the soundness of the massive wood and perfect anchoring of the whole stairs.

At home, or at office, or in an institution, the ARCKER stairs will perfectly suit the environment, the interior design, which enhances the aesthetic room value . The Arcer stairs it can be more than a constructive element, needed in the house. With an inspired design, it can even be the central element of the interior design. In a newly built house, the Arcer stairs can set the tone of a „visual speech“. And if you have just renovated an older propriety, the new stairs can be the distinctive feature of the home, making it outstanding.









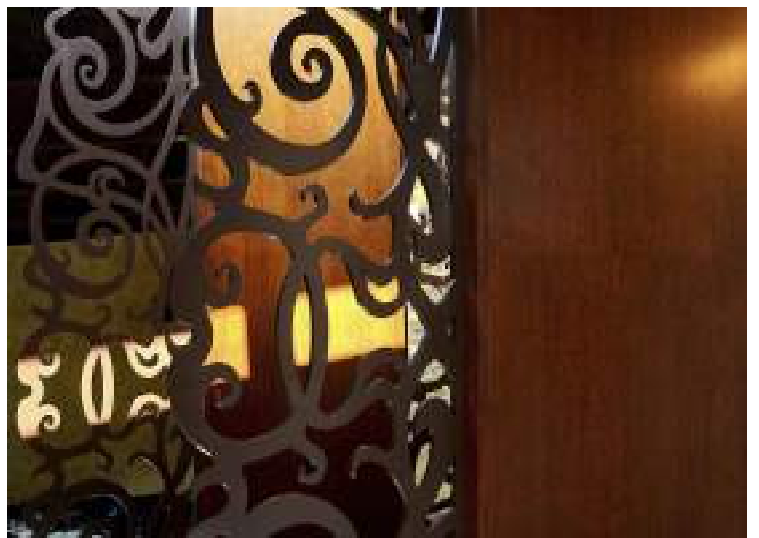
Others

In 1992, by opening the joinery, Arcer started manufacturing small items of furniture and diverse wood objects, for interior design. As the joinery was becoming a factory, and the activity of the company was getting diversified, the complexity of the special works grew higher, being actually true CREATIVE SOLUTIONS of DECORATING THE AMBIENTAL SPACE, both INTERIOR or EXTERIOR. If today the major part of income of the Arcer company it comes from the production of wood room and house doors, also from the production of wood insulated windows, diverse woodworks and special solutions, using wood has remained a constancy of Arcer manufacturing, enlarging this way the range of products the company offers to all his clients and business partners.

Whether it is a new construction or the decoration of a older room, whether we talk about a residential home or about an public institution, Arcer can decorate you the entire ambient, starting from windows and doors, to full set furniture, stairs and obviously, to those WOODEN DECORATIVE SOLUTIONS special solutions, adopted to each order. THE WOOD CLADINGS AND THE WAINSCOTTING for walls or for pillars, WOOD MASKS for radiators, masks for lamps, separating walls from wood, are only few of the interior design solutions that had quick success on the PREMIUM market segment.

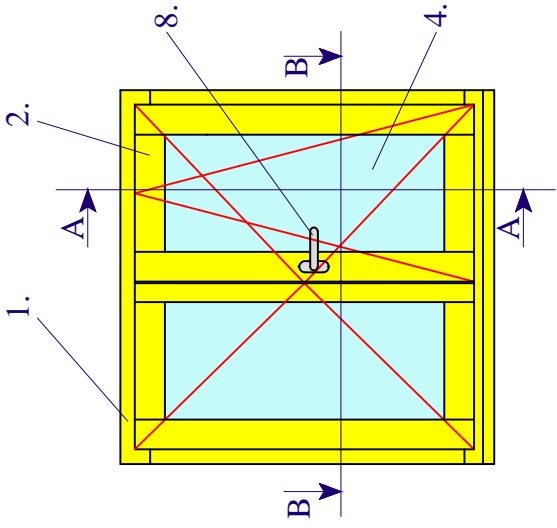




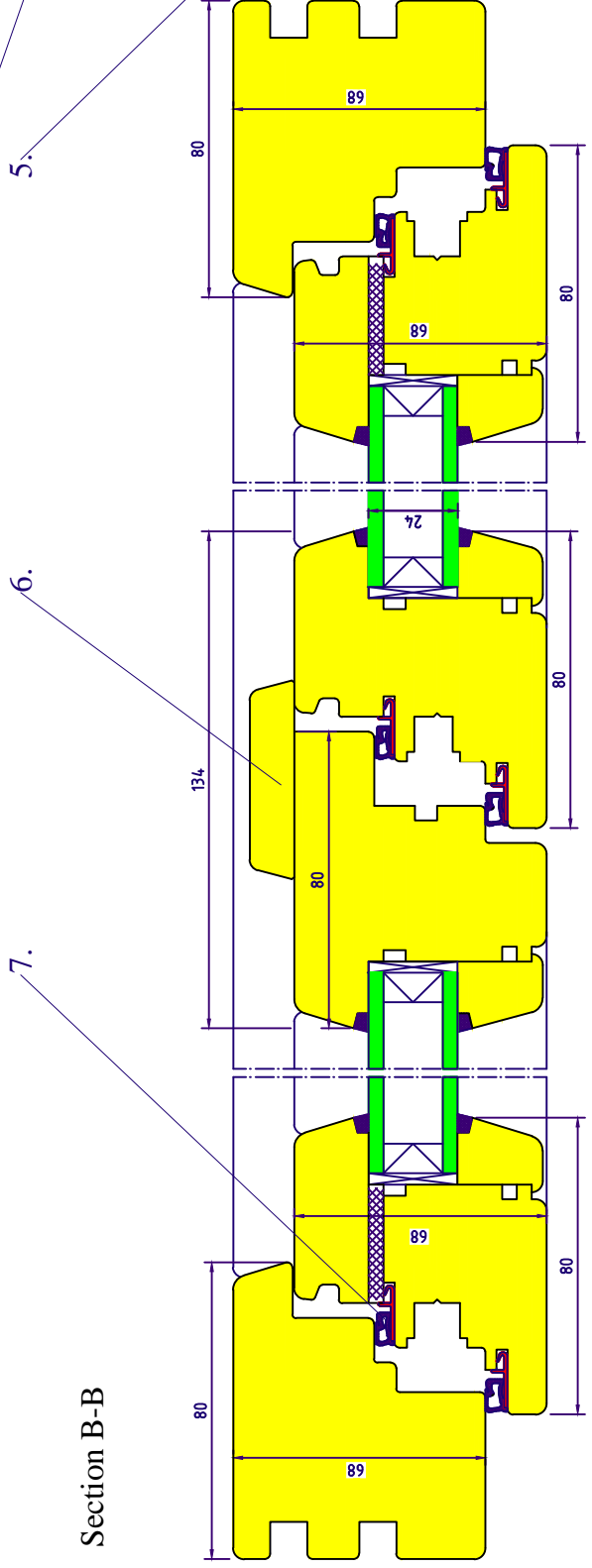
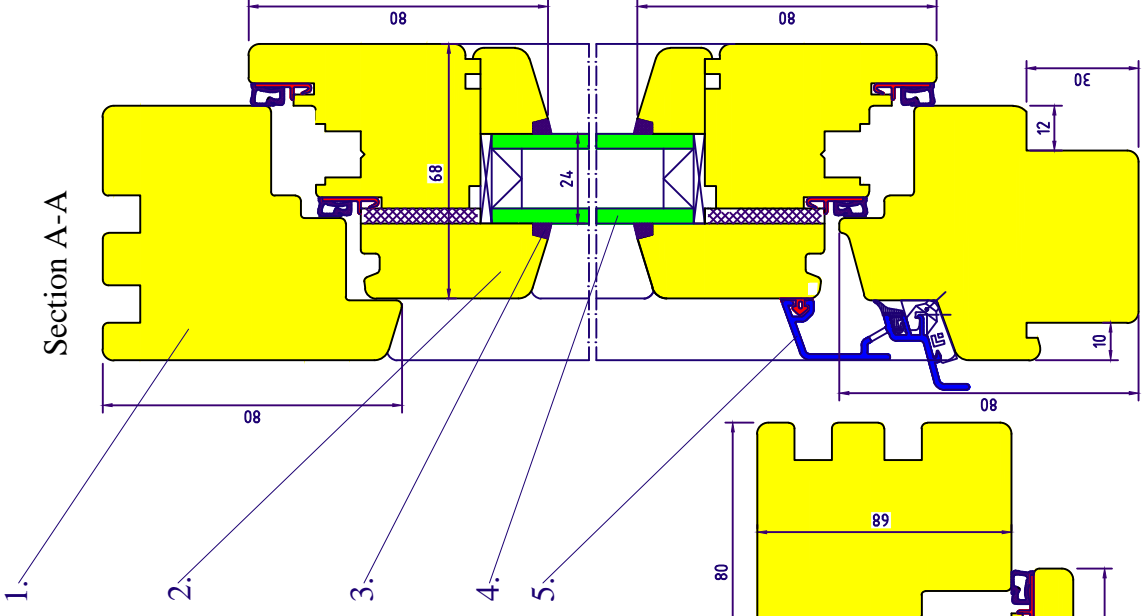


SC ARCER SIGHET SRL

Exterior carpentry
 Profil IV68



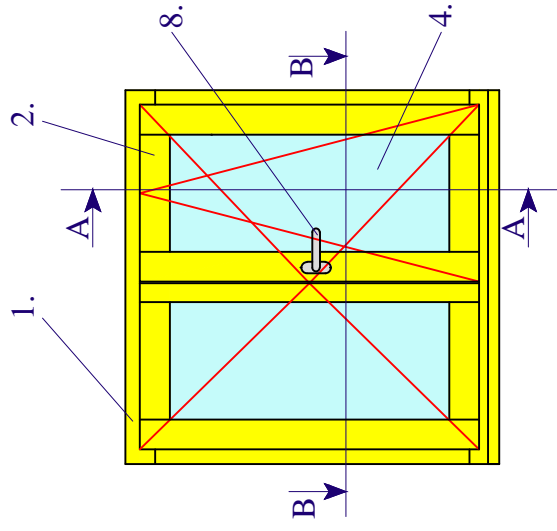
- 1. - Frame
- 2. - Leaf
- 3. - Silicon sealing
- 4. - Glazing
- 5. - Weather stripping(bars)
- 6. - Moldings
- 7. - Sealing gasket
- 8. - Handle



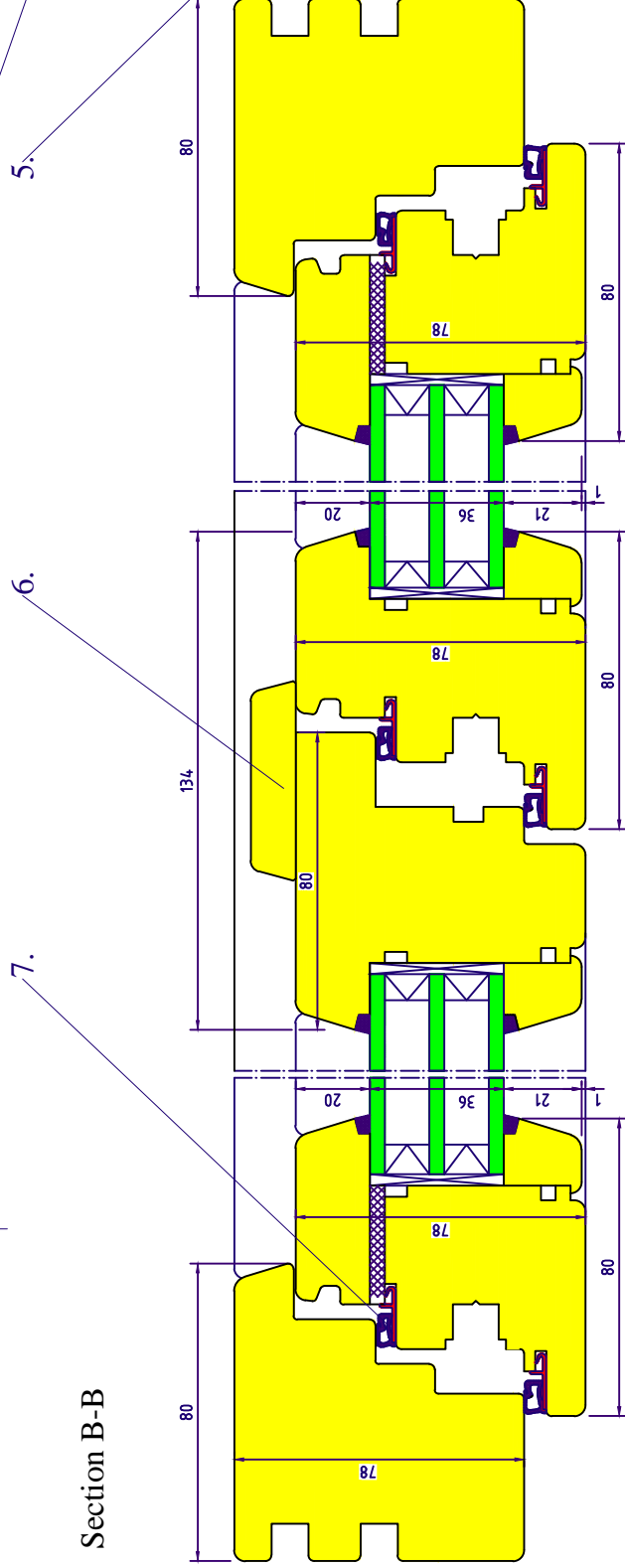
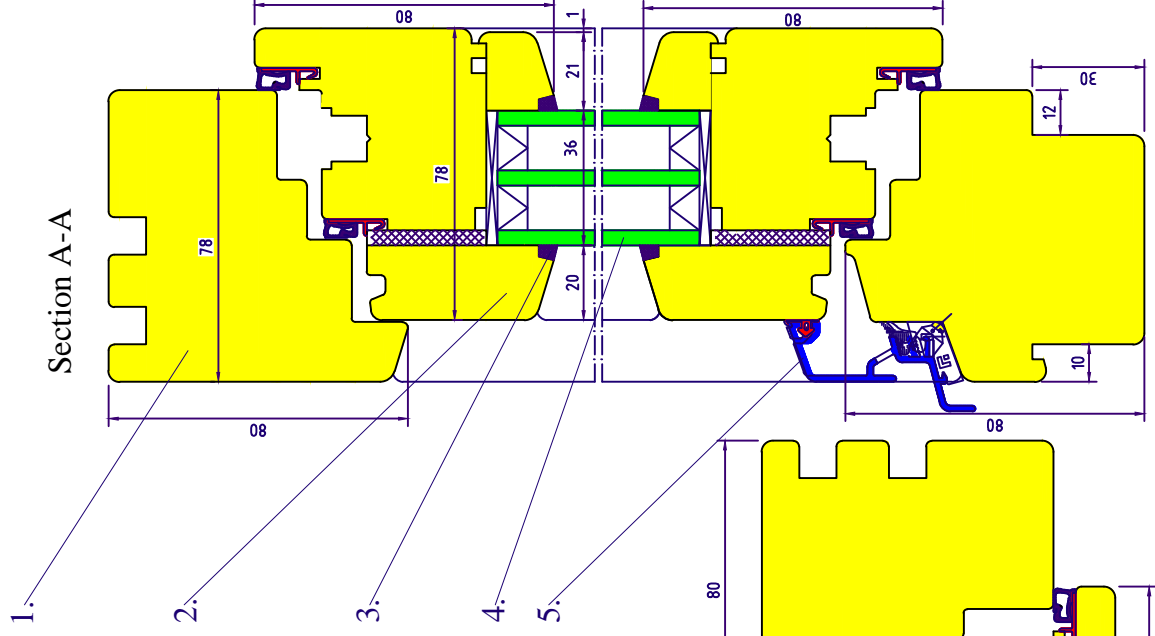
SC ARCKER SIGHET SRL

Exterior carpentry

Profil IV78

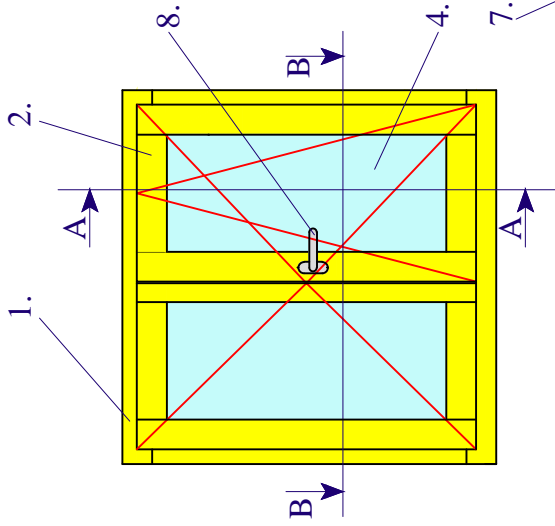


- 1. - Frame
- 2. - Leaf
- 3. - Silicon sealing
- 4. - Glazing
- 5. - Weather stripping(bars)
- 6. - Moldings
- 7. - Sealing gasket
- 8. - Handle

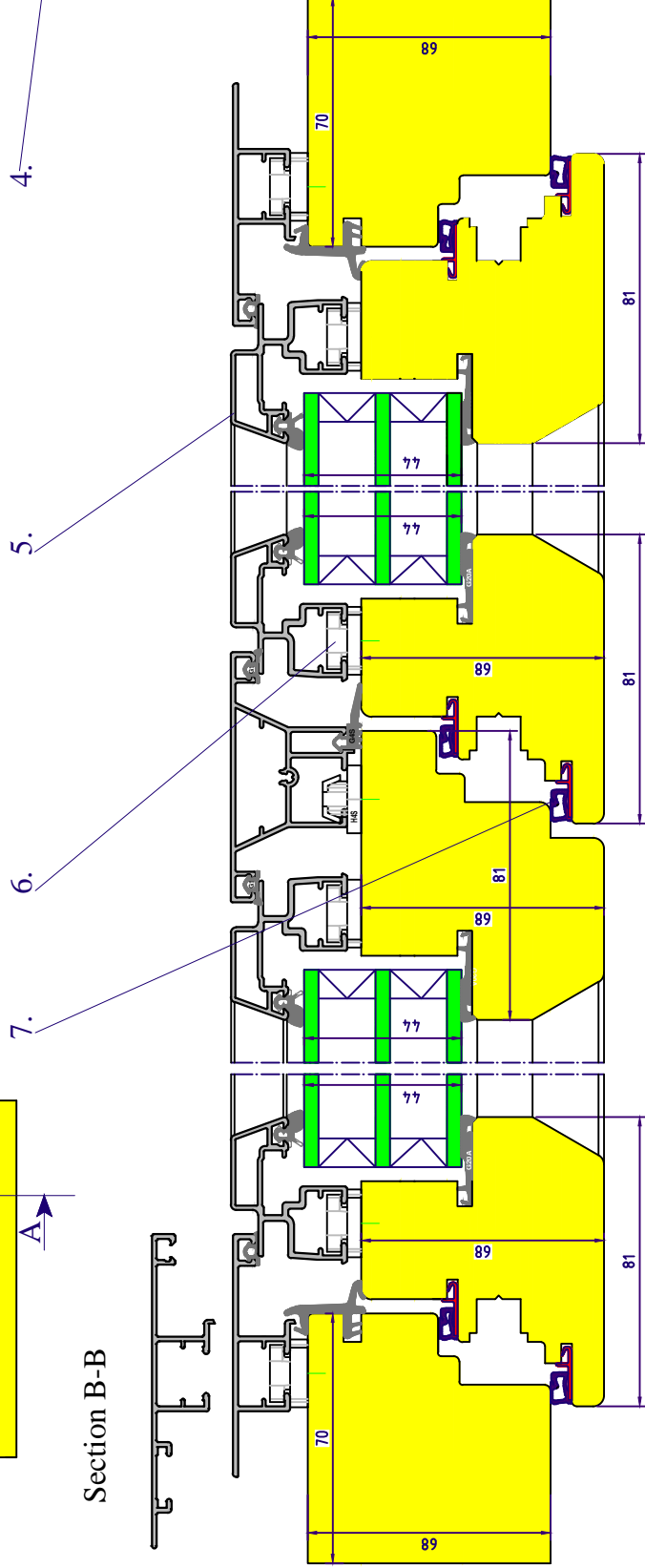
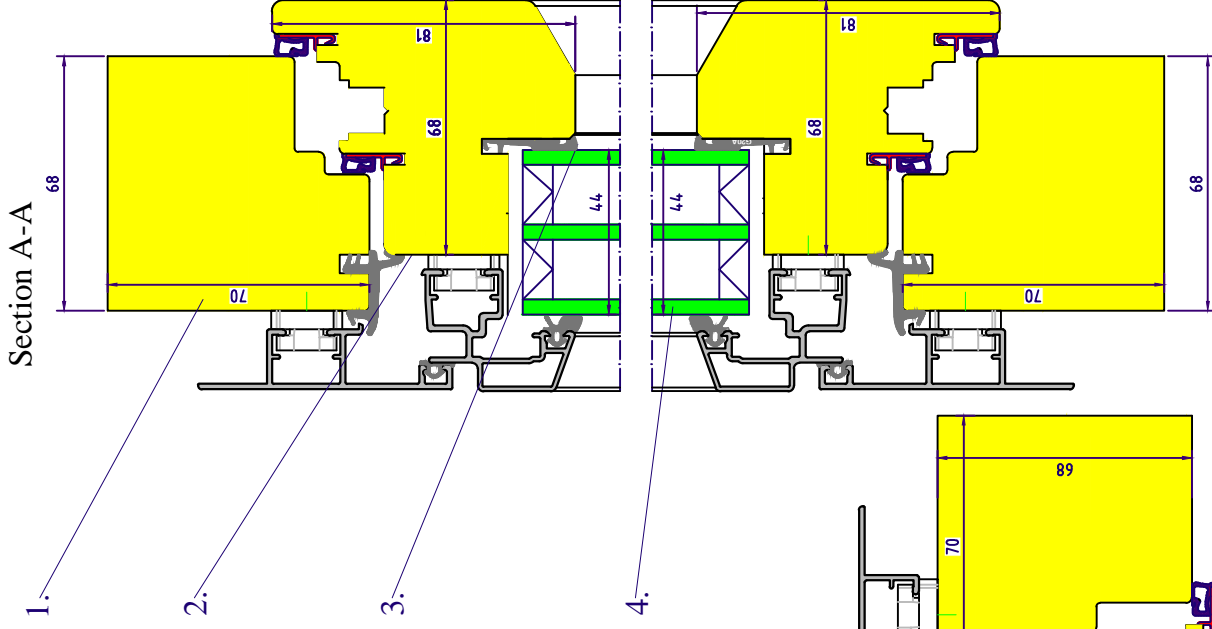


SC ARCKER SIGHET SRL

Exterior carpentry
 Profil Lemn-Aluminiu



- 1. - Frame
- 2. - Leaf
- 3. - Sealing gasket for glass
- 4. - Glazing
- 5. - Exterior aluminium kit
- 6. - Exterior aluminium mounting clips
- 7. - Sealing gasket
- 8. - Handle

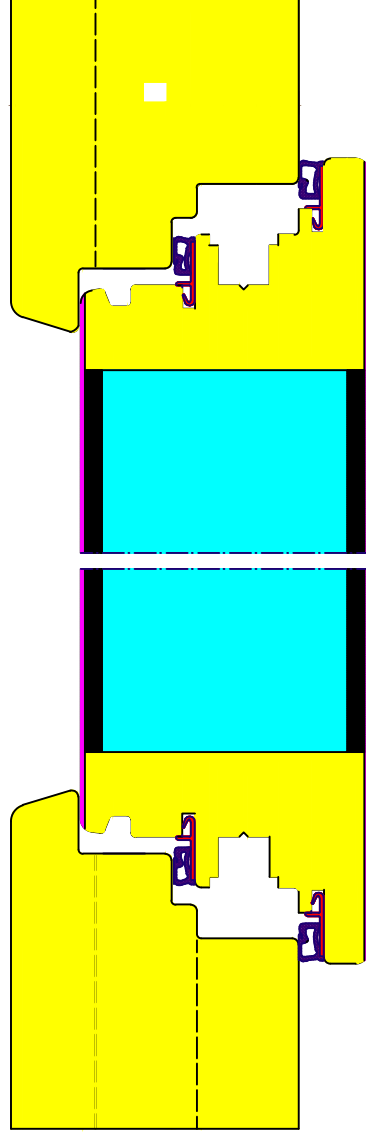
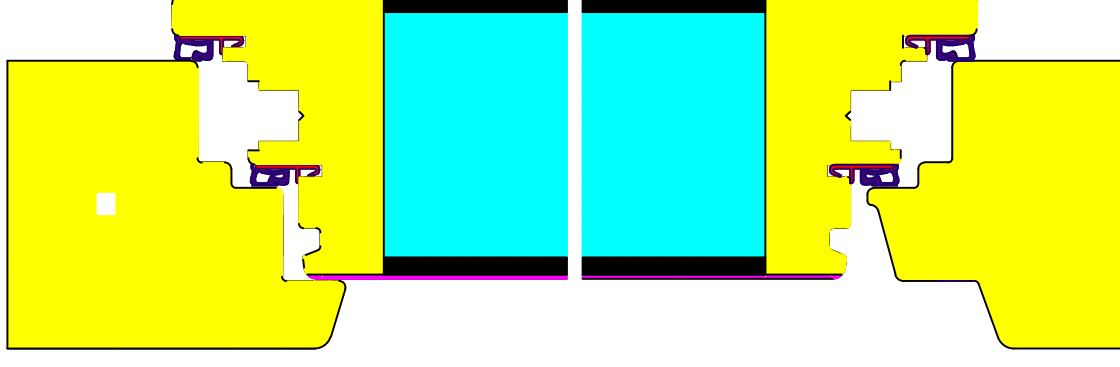
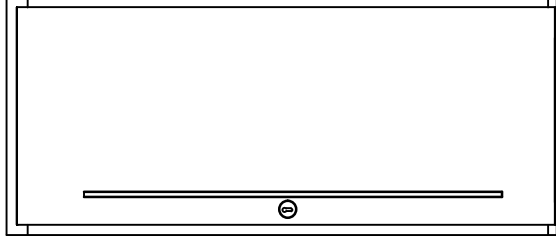


Section B-B

SC ARCER SIGHET SRL

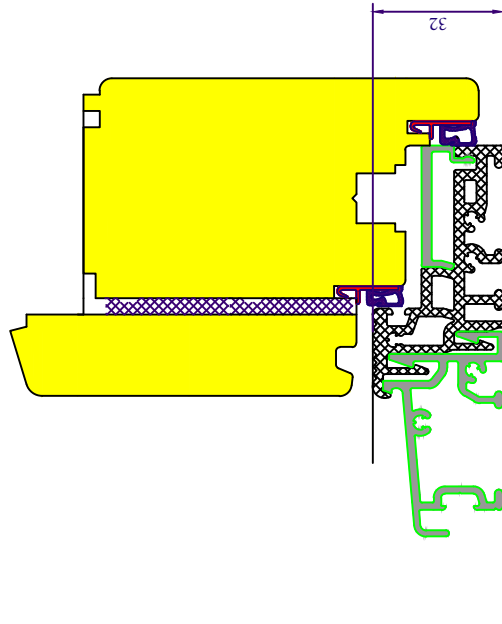
Exterior entrance door

- Massiv(solid) oak
- Massiv(solid) spruce
- Plywood 4 mm
- Oak veneer 1 mm

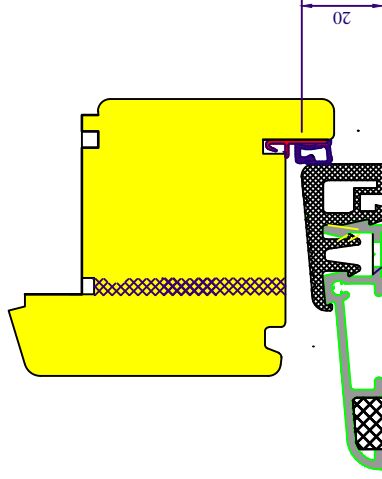


SC ARCKER SIGHET SRL

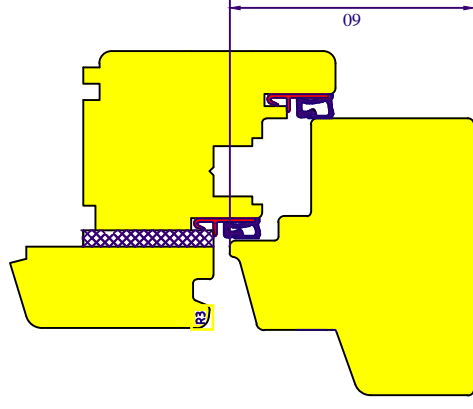
Aluminum threshold(doorstep)



Aluminum threshold(doorstep)

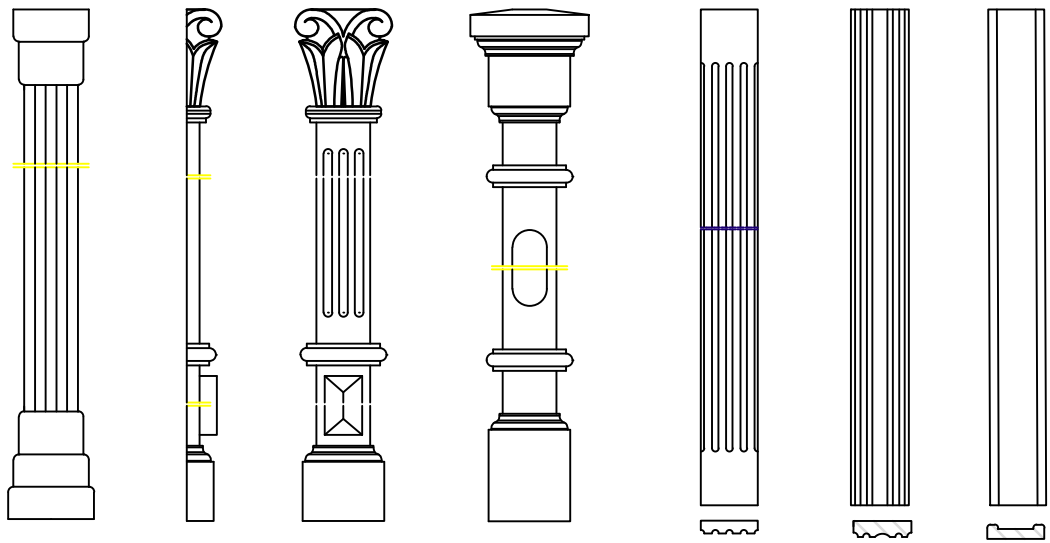


Wooden threshold(doorstep)

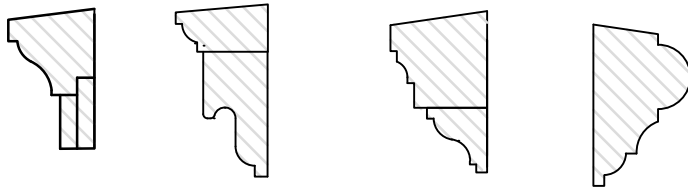


SC ARCER SIGHET SRL

Moldings



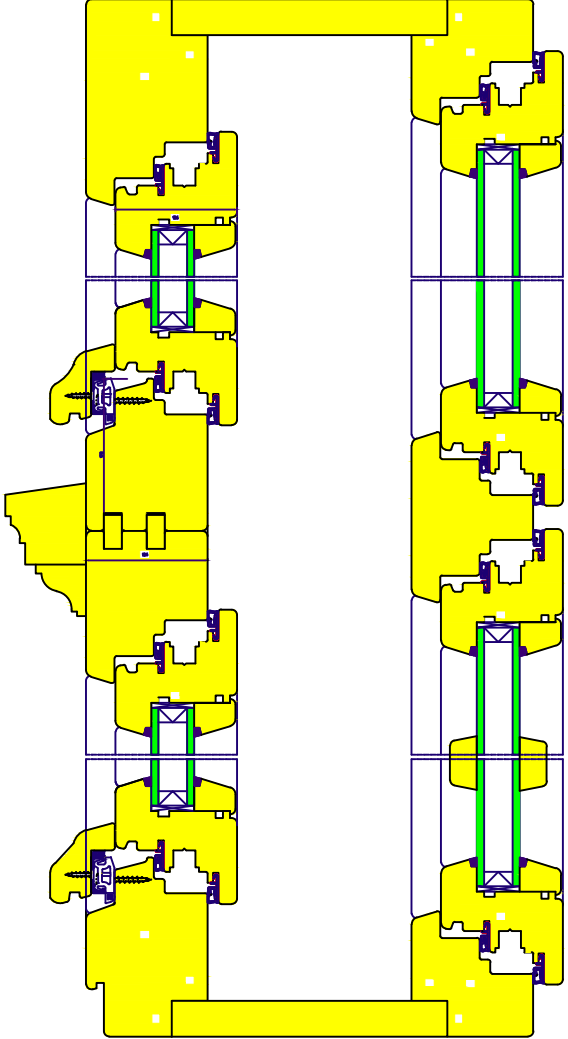
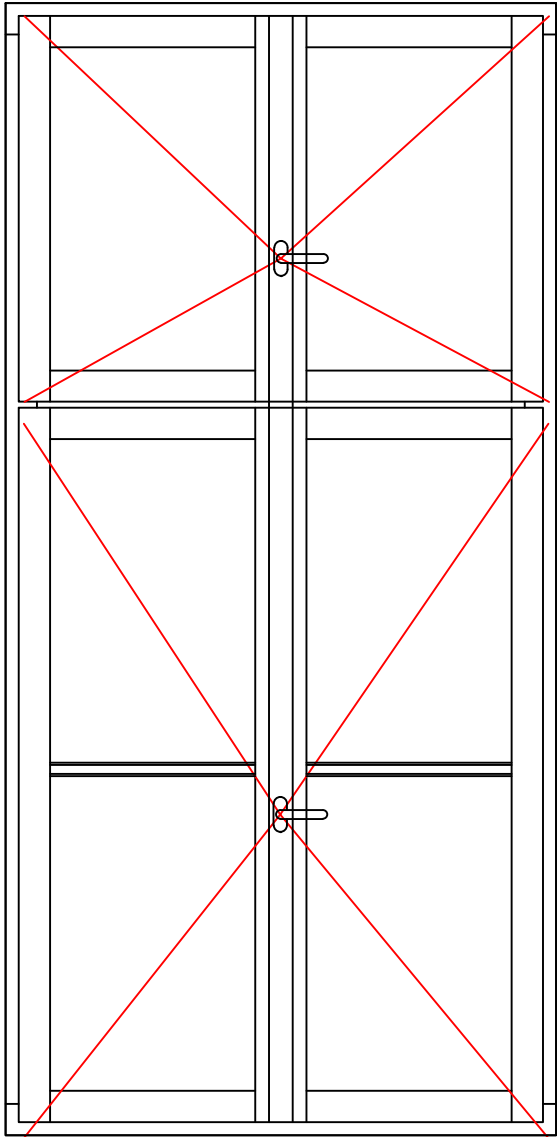
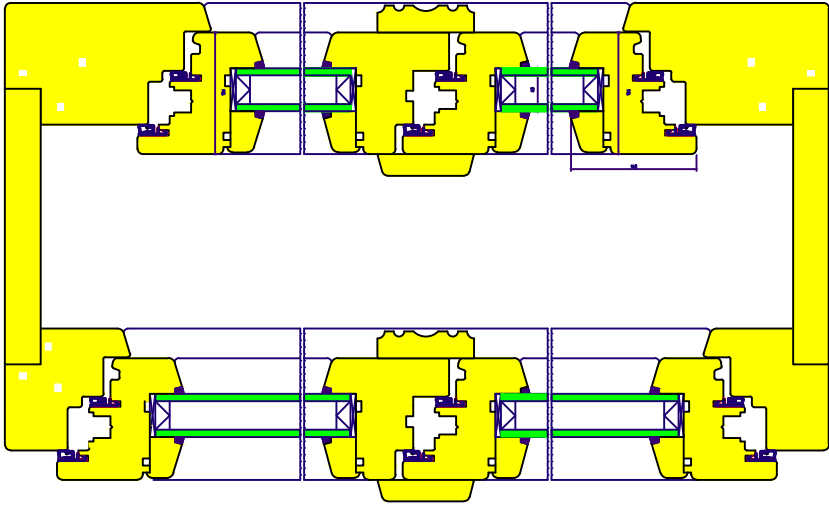
Cornice



Ornament applied on the glass



SC AR CER SIGHET SRL



Project number: FB-C228E-19209-2019
DK-C228E-20088-2020

Topic number: M-3065/2009

TTC

TYPE TESTING CERTIFICATE

concerning construction products termed wooden windows and balcony doors of type ARCER 68

**ÉMI Construction Testing Laboratory of
Engineering Services Directorate of
ÉMI Non-profit limited liability company for quality control and innovation in building**

certifies with this document for

**S.C. ARCER S.R.L.
435500 Sighetu Marmăției Maramureș,
Str. Popa Lupu, 90.**

and

**SC. ARCER SIGHET S.R.L.
435500 Sighetu Marmăției Maramureș,
Str. Popa Lupu, 90.**

as the holder of this TTC that

it has performed the initial type test of the above construction products subject to the Regulation No 305/2011 (March 9, 2011) of The European Parliament and of the Council and manufactured at the premises of

**S.C. ARCER S.R.L. és SC. ARCER SIGHET S.R.L.
435500 Sighetu Marmăției Maramureș,
Str. Popa Lupu, 90.**

On the base of the results detailed in the Initial Type Testing Report of number No. M-3065/2009, dated Sept 20, 2009 and Testing- and Assessing report of number FB-C228E-19209-2019, dated March 24, 2020 the products tested comply with the requirements detailed on pages 2-3. herein and specified in technical specification MSZ EN 14351-1:2006+A2:2017 titled „Windows and doors. Product standard, performance characteristics. Part 1: Windows and external pedestrian doorsets” for the products termed wooden windows and balcony doors provided that they are used in the scope of application specified in Section 1 of the product standard.

This TVB remains valid

**- with no change in product characteristics -
until March 31, 2023.**

Date of next surveillance: March 31, 2021.

Szentendre, Marc 24, 2020.



Ákos Darányi
head of ÉMI Construction Testing Laboratory

Type Testing Certificate contains 4 numbered pages which are valid together only!
ÉMI Nonprofit Kft. is an organisation certified according to MSZ EN ISO 9001.

Product characteristics on which the Declaration of Performance is based:

1. Windows and balcony doors with one-sash (fixed, side hung, bottom hung, tilt and turn):

Product characteristics and measuring units		Requirement ⁸⁾ / Classification	Test / Classification method	Extension range of validity
Air permeability	(m ³ /hm ²)	4, GY1), GY2)	MSZ EN 1026:2016 MSZ EN 12207:2017	A ≤ 3,6 m ²
Water tightness	(Pa)	4A ^{GY1)}	MSZ EN 1027:2016 MSZ EN 12208:2001	2,28 < A ≤ 3,6 m ²
		6A ^{GY2)}		A ≤ 2,28 m ²
Wind load	(Pa)	C3 ^{GY1)}	MSZ EN 12211:2016 MSZ EN 12210:2016	1,52 < A ≤ 2,4 m ²
		C4 ^{GY2)}		A ≤ 1,52 m ²
Load-bearing capacity of safe devices - Resistance to static torsion	(N)	comply ^{GY1), GY2)}	MSZ EN 14351-1:2006+A2:2017, 4.8.p MSZ EN 14609:2004	A ≤ 2,4 m ²
Heat transmittance*	(W/m ² K)	2,3 ^{a)}	MSZ EN ISO 10077-1:2017 MSZ EN ISO 12567-2:2006	A ≤ 2,3 m ² ^{c)}
		1,5 ^{b)}		all sizes
Acoustic	(dB)	NPD	MSZ EN ISO 10140-2:2011 MSZ EN ISO 717-1:2013	A ≤ 2,7 m ²

NPD No performance determined

^{a)} With glazing of 4float/16/4 float (U_g = 2,7 W/m²K)

^{b)} With glazing of 4 float/16Argon/4Low-E (U_g = 1,1 W/m²K)

^{c)} In case of area > 2,3 m² a new calculation is necessary

^{d)} In case of area > 2,7 m², the results must be modified according to MSZ EN 14351-1:2006+A2:2017, table B.3.

^{e)} Requirements depending on method and place of the installation can be found in standard No. MSZ 9333:2011.

* Where detailed calculation of the heat loss from a specific building is required, the manufacturer shall provide an accurate (calculated or tested) thermal transmittance value referring to the size.

⁶⁾ Manufacturer's test result; Technical class/ value/category which are valid for components (profile combination, sealing, glazing, hardware, etc.) and structural design according to referring test report (ÉMI Nonprofit Kft., M-3065/2009).

⁷⁾ Manufacturer's test result; Technical class/ value/category which are valid for components (profile combination, sealing, glazing, hardware, etc.) and structural design according to referring test report (ÉMI Nonprofit Kft., FB-C228E-19209-2019).

2. Windows and balcony doors with two-sashes

Product characteristics and measuring units		Requirement ¹⁾ / Classification	Test / Classification method	Extension range of validity
Air permeability	(m ³ /hm ²)	3.	MSZ EN 1026:2016 MSZ EN 12207:2017	A ≤ 3,6 m ²
Water tightness	(Pa)	2A	MSZ EN 1027:2016 MSZ EN 12208:2001	A ≤ 3,6 m ²
Wind load	(Pa)	C3	MSZ EN 12211:2016 MSZ EN 12210:2016	A ≤ 2,4 m ²
Load-bearing capacity of safe devices - Resistance to static torsion	(N)	comply	MSZ EN 14351-1:2006+A2:2017, 4.8.p MSZ EN 14609:2004	A ≤ 2,4 m ²
Heat transmittance*	(W/m ² K)	2,4 ^{a)}	MSZ EN ISO 10077-1:2017 MSZ EN ISO 12567-2:2006	A ≤ 2,3 m ² ^{d)}
		1,4 ^{b)}		all sizes
Acoustic	(dB)	32 (-1;-5) ^{b)}	MSZ EN ISO 10140-2:2011 MSZ EN ISO 717-1:2013	A ≤ 2,7 m ²

^{a)} With glazing of 4float/16/4 float (U_g = 2,7 W/m²K)

^{b)} With glazing of 4 float/16Argon/4Low-E (U_g = 1,1 W/m²K)

^{c)} In case of area > 2,3 m² a new calculation is necessary

^{d)} In case of area > 2,7 m², the results must be modified according to MSZ EN 14351-1:2006+A2:2017, table B.3.

^{e)} Requirements depending on method and place of the installation can be found in standard No. MSZ 9333:2011.

^{*} Where detailed calculation of the heat loss from a specific building is required, the manufacturer shall provide an accurate (calculated or tested) thermal transmittance value referring to the size.

The results of the initial type testing can be used to issue the *Declaration of Performance* specified in Regulation No 305/2011 (March 9, 2011) of The European Parliament and of the Council, in Annex V, for System 3, as long as the technical specification, product characteristics, requirements and the manufacturing technology of the product manufactured at the premises of the manufacturer remain *unchanged*.

The holder of the TVB must report changes ÉMI Construction Testing Laboratory of Engineering Services Directorate of ÉMI Nonprofit Kft. within 30 days which way he can initiate renewal of the TVB.

The TVB certifies solely the completion of the initial type testing of the product.

During the validity period of TVB, surveillance testing of essential characteristics of the product which support the declaration of performance are performed by ÉMI Nonprofit Kft. yearly based on separate mandates.

Mandate related to surveillance testing has to be sent to ÉMI Nonprofit Kft. at least one month prior to the date of surveillance on the cover of the TVB. In case of missing surveillance tests the TVB will lose its validity.

The certificate was drawn up by:



Ágota Mäga

testing engineer

Confirmed by



Judith Zita Dali

head of laboratory



Project number: FB-C228E-19207-2019
DK-C228E-20088-2020

Topic number: M-3066/2009

TTC

TYPE TESTING CERTIFICATE

concerning construction products termed wooden entrance doors of type ARCER 68

**ÉMI Construction Testing Laboratory of
Engineering Services Directorate of
ÉMI Non-profit limited liability company for quality control and innovation in building**

certifies with this document for

**S.C. ARCER S.R.L.
435500 Sighetu Marmăției Maramureș,
Str. Popa Lupu, 90.**

and

**SC. ARCER SIGHET S.R.L.
435500 Sighetu Marmăției Maramureș,
Str. Popa Lupu, 90.**

as the holder of this TTC that

it has performed the initial type test of the above construction products subject to the Regulation No 305/2011 (March 9, 2011) of The European Parliament and of the Council and manufactured at the premises of

**S.C. ARCER S.R.L. és SC. ARCER SIGHET S.R.L.
435500 Sighetu Marmăției Maramureș,
Str. Popa Lupu, 90.**

On the base of the results detailed in the Initial Type Testing Report of number No. M-3066/2009, dated Sept 20, 2009 and Testing- and Assessing report of number FB-C228E-19207-2019, dated March 25, 2020 the products tested comply with the requirements detailed on pages 2-3. herein and specified in technical specification MSZ EN 14351-1:2006+A2:2017 titled „Windows and doors. Product standard, performance characteristics. Part 1: Windows and external pedestrian doorsets” for the products termed wooden windows balcony doors and doors provided that they are used in the scope of application specified in Section 1 of the product standard.

This TVB remains valid

**- with no change in product characteristics -
until March 31, 2023.**

Date of next surveillance: 31. 03. 2021.

Szentendre, Marc 31, 2020.



Ákos Darányi

head of ÉMI Construction Testing Laboratory

Type Testing Certificate contains 4 numbered pages which are valid together only!
ÉMI Nonprofit Kft. is an organisation certified according to MSZ EN ISO 9001.

Product characteristics on which the Declaration of Performance is based:

1. Entrance doors with one sash (side hung, inside opening):

Product characteristics and measuring units		Requirement ^{RI)} / Classification	Test / Classification method	Extension range of validity
Air permeability	(m ³ /hm ²)	3, ^{GY1), GY2)}	MSZ EN 1026:2016 MSZ EN 12207:2017	A ≤ 3,15 m ²
Water tightness	(Pa)	NPD	MSZ EN 1027:2016 MSZ EN 12208:2001	-
Wind load	(Pa)	C3 ^{GY1)}	MSZ EN 12211:2016 MSZ EN 12210:2016	1,95 < A ≤ 2,1 m ²
		C4 ^{GY2)}		A ≤ 1,95 m ²
Load-bearing capacity of safe devices - Resistance to static torsion	(N)	comply ^{GY1), GY2)}	MSZ EN 14351-1:2006+A2:2017, 4.8.p MSZ EN 14609:2004	A ≤ 2,1 m ²
Heat transmittance ^{*, H)}	(W/m ² K)	1,4 ^{RI)}	MSZ EN ISO 10077-1:2017	A ≤ 3,6 m ² ^{CI)}
		1,5 ^{b)}		
Acoustic	(dB)	35 (-1;-3) ^{d)}	MSZ EN ISO 10140-2:2011 MSZ EN ISO 717-1:2013	A ≤ 2,9 m ²

^{NPD)} No performance determined

^{RI)} With wooden heat insulating infill of $U_g = 1,1 \text{ W/m}^2\text{K}$

^{R)} With glazing of 4 float/16Argon/4Low-E ($U_g = 1,1 \text{ W/m}^2\text{K}$)

^{CI)} in case of area > 3,63 m² a new calculation is necessary

^{CI)} In case of other glazing/infill type new calculation or test are necessary

^{R)} Requirements depending on method and place of the installation can be found in standard No. MSZ 9333:2011.

^{H)} Requirement values regarding the heat insulating can be found in order of 7/2006 TMM and in amendment of the order

^{*} Where detailed calculation of the heat loss from a specific building is required, the manufacturer shall provide an accurate (calculated or tested) thermal transmittance value referring to the size.

^{CI)} Manufacturer's test result; Technical class/ value/category which are valid for components (profile combination, sealing, glazing, hardware, etc.) and structural design according to referring test report (EMI Nonprofit Kft., M-3056/2009).

^{RI)} Manufacturer's test result; Technical class/ value/category which are valid for components (profile combination, sealing, glazing, hardware, etc.) and structural design according to referring test report (EMI Nonprofit Kft., FB-C228E-19207-2019).

2. Entrance doors with two sashes, inside opening

Product characteristics and measuring units		Requirement ^{RI} / Classification	Test / Classification method	Extension range of validity
Air permeability	(m ³ /hm ²)	2.	MSZ EN 1026:2016 MSZ EN 12207:2017	A ≤ 4,41 m ²
Water tightness	(Pa)	NPD	MSZ EN 1027:2016 MSZ EN 12208:2001	A ≤ 4,41 m ²
Wind load	(Pa)	C2	MSZ EN 12211:2016 MSZ EN 12210:2016	A ≤ 2,94 m ²
Load-bearing capacity of safe devices - Resistance to static torsion	(N)	complies	MSZ EN 14351-1:2006+A2:2017, 4.8.p MSZ EN 14609:2004	A ≤ 2,94 m ²
Heat transmittance*	(W/m ² K)	1,5 ^{a)} ----- 1,6 ^{b)}	MSZ EN ISO 10077-1:2017 MSZ EN ISO 12567-2:2006	A > 3,6 m ²
Acoustic	(dB)	NPD	MSZ EN ISO 10140-2:2011 MSZ EN ISO 717-1:2013	-

NPD No performance determined

^{a)} With wooden heat insulating infill of $U_g = 1,1 \text{ W/m}^2\text{K}$

^{b)} With glazing of 4 float/16Argon/4Low-E ($U_g = 1,1 \text{ W/m}^2\text{K}$)

^{c)} in case of area > 3,63 m² a new calculation is necessary

^{d)} Requirements depending on method and place of the installation can be found in standard No. MSZ 9333:2011.

^{e)} Requirement values regarding the heat insulating can be found in order of 7/2006 TNM and in amendment of the order

^{f)} Where detailed calculation of the heat loss from a specific building is required, the manufacturer shall provide an accurate (calculated or tested) thermal transmittance value referring to the size.

The results of the initial type testing can be used to issue the *Declaration of Performance* specified in Regulation No 305/2011 (March 9, 2011) of The European Parliament and of the Council, in Annex V. for System 3, as long as the technical specification, product characteristics, requirements and the manufacturing technology of the product manufactured at the premises of the manufacturer remain *unchanged*.

The holder of the TVB must report changes to ÉMI Construction Testing Laboratory of Engineering Services Directorate of ÉMI Nonprofit Kft. within 30 days which way he can initiate renewal of the TVB.

The TVB certifies solely the completion of the initial type testing of the product.

During the validity period of TVB, surveillance testing of essential characteristics of the product which support the declaration of performance are performed by ÉMI Nonprofit Kft. yearly based on separate mandates.

Mandate related to surveillance testing has to be sent to ÉMI Nonprofit Kft. at least one month prior to the date of surveillance on the cover of the TVB. In case of missing surveillance tests the TVB will lose its validity.

The certificate was drawn up by:


Ágota Mága
testing engineer

Confirmed by


Judith Zita Dali
head of laboratory



Portfolio

PORTOFOLIUL CLIENȚI ARCER

OBIECTIVE AMENAJATE CU PRODUSE DIVERSE, MARCA ARCER:

- Ferestre și uși exterioare
- Uși interioare
- Scări
- Mobilier
- Confecții din lemn (placări ornamentale pereți, tavane, grinzi, stâlpi)
- Ancadramente
- Măști de calorifer.

CLIENȚI INTERNI:

- BUCUREȘTI - amenajări diverse, preponderent tâmplărie exterioară și interioară
- ÎNALȚA CURTE DE CASAȚIE ȘI JUSTIȚIE
- BANCA NAȚIONALĂ A ROMÂNIEI
- MINISTERUL EDUCAȚIEI ȘI CERCETĂRII
- PRIMĂRIA SECTORULUI 5
- PALATUL PARLAMENTULUI
- ATENEUL ROMÂN
- PALATUL PATRIARHIEI ROMÂNE
- HAHUL „GABROVENI”
- TEATRUL NAȚIONAL „ION LUCA CARAGIALE”
- MINISTERUL AGRICULTURII ȘI DEZVOLTĂRII RURALE
- BIBLIOTECA CENTRALĂ UNIVERSITARĂ
- BIBLIOTECA NAȚIONALĂ A ROMÂNIEI
- MUZEUL NAȚIONAL DE ARTĂ AL ROMÂNIEI
- MUZEUL ȚĂRANULUI ROMÂN
- ADMINISTRAȚIA DOMENIILOR STATULUI
- MUZEUL COLECȚIILOR DE ARTĂ
- BISERICA „SFÂNTUL GRIGORE PALAMA”
- PAROHIA „SFÂNTA VINERI” PAJURA
- BISERICA „COSTEAȘCĂ”
- BISERICA „SFINȚII VOIEVOZI”
- BISERICA „COTROCENI”
- BISERICA „ELEFTERIE”
- BISERICA „SFÂNTA CRUCE”
- BISERICA „MANASIA”
- CATEDRALA ORTODOXĂ „SFÂNTA CUVIOASA PARASCHEVA VOLUNTARI”
- BISERICA „GRĂDINA ICOANEI”
- BISERICA „SFÂNTA VINERI NOUĂ”
- CAFENEALUA „MERON”

CLUJ-NAPOCA:

- GRUP ENERGOINSTAL – sediul administrativ
- PENSIUNEA „SERENA”
- HOTEL „SUN”
- BERĂRIA „KLAUSEN BURGER”
- HOTEL „MARIFLOR”
- ARHIPRO ARHITECTURA – sediul administrativ
- FACULTATEA DE MEDICINĂ „IULIU HAȚIEGANU” – clădire administrativă
- PEOPLE PUB
- NUKA BISTRO
- AFTER EIGHT COCKTAIL CLUB
- SPITALUL CLINIC DE URGENȚĂ – corp administrativ
- SPITALUL CLINIC DE URGENȚĂ – Oftalmologie, Psihiatrie, Farmacie
- CLINICA „GYNIA”
- CAFENEALUA „MERON”

TÂRGU MUREȘ:

- SPORTS BAR „LA LIGA” – în cadrul MUREȘ MALL

ORADEA:

- FUNDAȚIA „HOPE & HOMES” – sediul administrativ
- CASA „SOLIDARITATEA”

- CASA „SOLID RIVER VIEW RESIDENCE”
- CAFENEALUA „MERON”

ARAD:

- HOTELUL „LEON”
- BISERICA „LEBĂDA”

SIBIU:

- SERVICIUL PUBLIC COMUNITAR – „BAIA NEPTUN”
- PENSIUNEA „GURA RÂULUI”

BAIA MARE:

- CONSILIUL JUDEȚEAN MARAMUREȘ
- BANCA NAȚIONALĂ A ROMÂNIEI – sediul Baia Mare
- REZERVAȚIA „MUNȚII MARAMUREȘULUI”
- CABANA „APA SĂRATĂ” ROMSILVA
- TRIBUNALUL MARAMUREȘ
- MAGAZINUL „ORION”
- MAGAZINUL „COZAC FASHION”
- ANTREPRIZA REPARAȚII ȘI LUCRĂRI – sediul administrativ
- HOTEL „EURO HOUSE”
- HOTEL „RIVULUS”
- HOTEL „MINERUL”
- ELECTROSISTEM – sediul administrativ
- RESTAURANT „BIZONUL ROȘU”
- CABANA „USTUROI”
- PATISERIA „BIZO”
- HOTEL „LOSTRITA” - Firiza

SATU MARE:

- RESTAURANT „PUB NO PARDON”
- RESTAURANT „CRENGUȚA”
- HOTEL „AURORA”
- HOTEL „DANA II”
- HOTEL „CORAL”
- HOTEL „ARAMIA”
- COFETĂRIA „GYULAI”
- VILA „BODI”
- MAGAZIN „ADALIN DESIGN”
- GELATERIA „BIANCO MILANO”
- BIJUTERIA „DIAMANT”
- TEATRUL DE NORD
- CAFENEALUA „MERON”
- HOTEL-RESTAURANT „VALEA MĂRIEI” – Vama
- FLORĂRIA „BRIGITTE” – Negrești Oaș
- BISERICA REFORMATĂ - Carei

MARAMUREȘ:

- BANCA COMERCIALĂ ROMÂNĂ Sighetu Marmației – sediu
- PRIMĂRIA Sighetu Marmației – sediu
- COLEGIUL NAȚIONAL „DRAGOȘ VODĂ” Sighetu Marmației
- COLEGIUL NAȚIONAL „LEOWEI KLARA” Sighetu Marmației
- LICEUL UCRAINEAN „TARAS SEVCENCO” Sighetu Marmației
- PALATUL CULTURAL Sighetu Marmației
- FUNDAȚIA „SURORILE BENEDICTINE” Sighetu Marmației – sediu
- ASOCIAȚIA „QUADRI FOGLIO” Sighetu Marmației – sediu
- MUZEUL MARAMUREȘULUI Sighetu Marmației
- ASOCIAȚIA „MICROREGIUNEA ȚĂRII MARAMUREȘULUI” Sighetu Marmației
- SC ROMSTAL Sighetu Marmației – sediu
- HOTEL-RESTAURANT „CASA IURCA DE CĂLINEȘTI” Sighetu Marmației
- HOTEL-RESTAURANT „GRĂDINA MORII” Sighetu Marmației
- VILA HGM Sighetu Marmației
- CLUBUL „INDEPENDENT” Sighetu Marmației
- MĂNĂSTIREA Bârsana
- MUZEUL ARTEI POPULARE AL MĂNĂȘTIRII Bârsana

- HANUL „ȚENȚEA” – Pas Gutâi
- MĂNĂȘTIREA Botiza
- BISERICA ORTODOXĂ Săpânța
- MĂNĂȘTIREA „SĂPÂNȚA – PERI”
- BISERICA ORTODOXĂ Vișeu de Sus
- SEDIUL PRIMĂRIEI din Poienile Izei
- SEDIUL PRIMĂRIEI Dragomirești
- SEDIUL PRIMĂRIEI din Repedea
- RESTAURANTUL “FĂNTÂNELE” Borșa
- VILA „FOCUS” Borșa
- SPITALUL ORĂȘENESC Dragomirești
- ȘCOALA GEN. CU CLASELE I-VIII Oncești
- OCOLUL SILVIC sediul din Poienile de sub Munte
- OCOLUL SILVIC sediul din Dragomirești
- OCOLUL SILVIC sediul din Groși
- OCOLUL SILVIC sediul din Groși Țibleșului
- OCOLUL SILVIC sediul din Strâmbu Băiut
- OCOLUL SILVIC sediul din Vișeu
- OCOLUL SILVIC sediul din Mara
- OCOLUL SILVIC sediul din Ruscova
- OCOLUL SILVIC sediul din Ocna Șugătag
- HOTEL „EUROSIND” Ocna Șugătag

- HOTEL „VERSAY” - Herculane
- SEDIUL PREFECTURII Gorj
- VILA „MARIA” Brașov
- SEDIUL BNR CONSTANȚA

CLIENȚI EXTERNI:

FRANȚA:

- MUSEE D'HISTOIRE, Gare Suresnes Longchamp, Paris
- ECOLE VAILLANT SURESNES, Paris
- ANSAMBLURI DE LOCUINȚE, APARTAMENTE ȘI CASE REZIDENȚIALE situate la adresele:
 - Rue de Clery Paris
 - Bernes sur Oise, rue de Yves le Coz, Versailles Cedex
 - Avenue Victor Hugo, Aubervilliers
 - Porte de Champerret, Place de Porte de Champerret, Paris
 - Rue de Grenelle, Paris
 - Marnes la Coquettes, Paris
 - Rue de Montreuil, Paris
 - Rue des Orteaux, Paris
 - Rue de Labishe Paris
 - Rue de Dulub Paris
 - Rue de Saint Honore Paris
 - Rue de Koja Paris
 - Rue d'Antoine Vallon, Paris
 - Rue du Bouquet, Paris
 - Rue de Sedillot, Paris
 - Rue de Montmorency, Paris
 - Rue de Viroflay, Paris
 - Rue de Mironesmil, Paris
 - Rue d'Annonciade, Saint Tropez
 - Avenue de Casablanca, Ramatuelle
 - Rue Allard, Saint Tropez

BELGIA:

- ANSAMBLURI DE LOCUINȚE, APARTAMENTE ȘI CASE REZIDENȚIALE situate la adresele:
 - Rue Jourdan, Bruxelles
 - Waterloo
 - Washington
 - Victor Emanuel, Bruxelles
 - Avenue Moliere, Bruxelles
 - Avenue Louis Lepoutre, Bruxelles
 - Rue Saint-Michel, Bruxelles
 - Rue Stassart, Bruxelles
 - Boulevard Anspach, Bruxelles

GERMANIA:

- Prosselstrasse, Munchen
- Eisenstrasse, Munchen
- Vestendstrasse, Munchen
- Castelul GRAFENDORF

UCRAINA:

- Hotel „CAMELOT” Ujgorod

UNGARIA:

- Sediul „FALUMUHELY ALAPITVANY” Budapesta

AUSTRIA:

- Pensiune Graz

ITALIA:

- Casă rezidențială ALEXANDRIA

MAREA BRITANIE:

- BELVEDERE REPRODUCTIONS LTD

*... și / Clăi
... din lemn stratifica
... Mobilier
... și amenajări interioare*



ARCER[®]
Recommend

*Sighetu Marmatiei
Str. Papa Lupu Nr. 90
Maramures, 435500
Romania*

*Tel: +4 0262 310 440
Fax: +4 0262 314 088
E-mail: office@arcer.ro
Web: www.arcer.ro*

*Dep. vânzări:
Tel: +4 0730 016 826*



www.hotelgradinamorii.ro